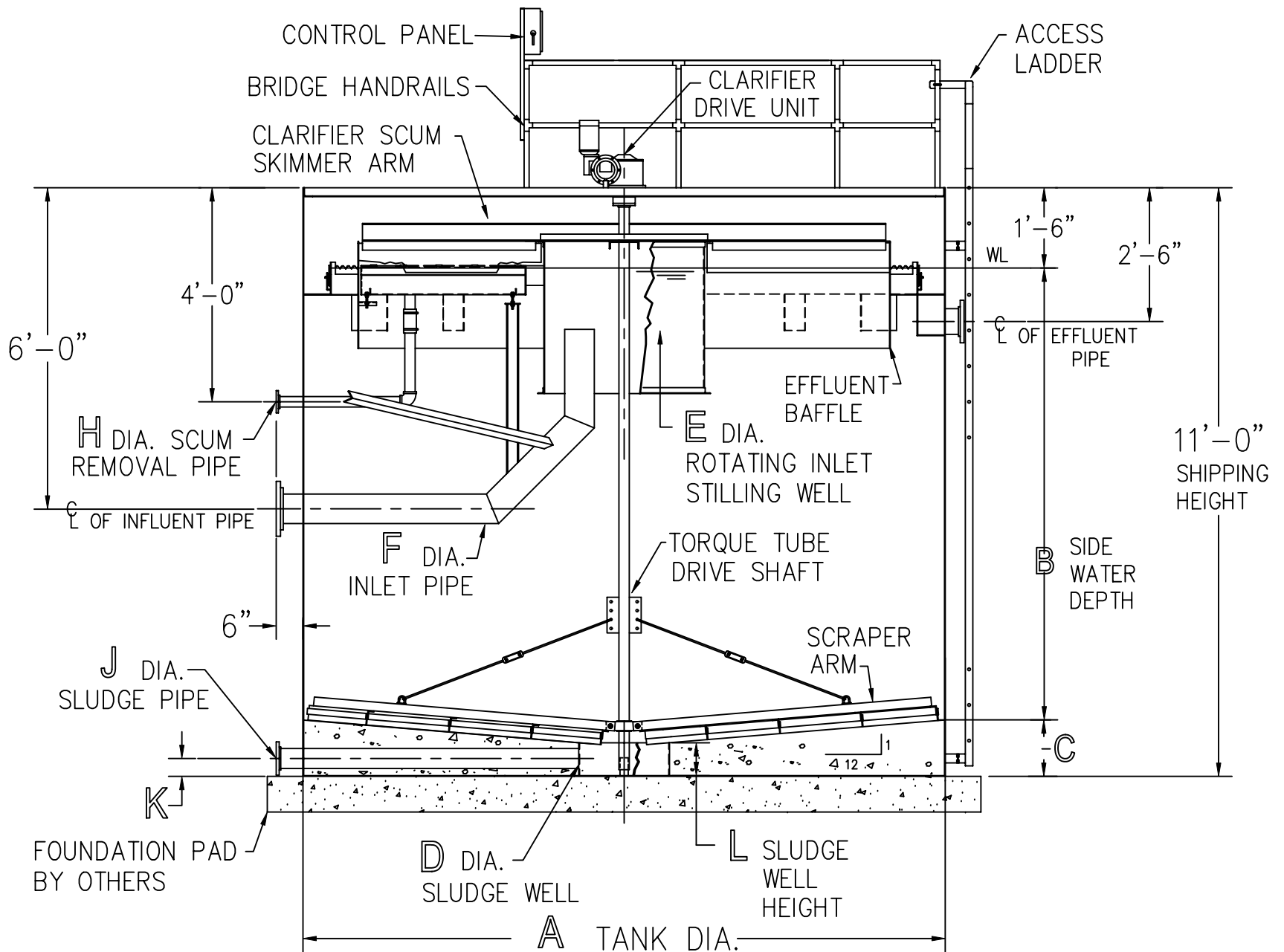
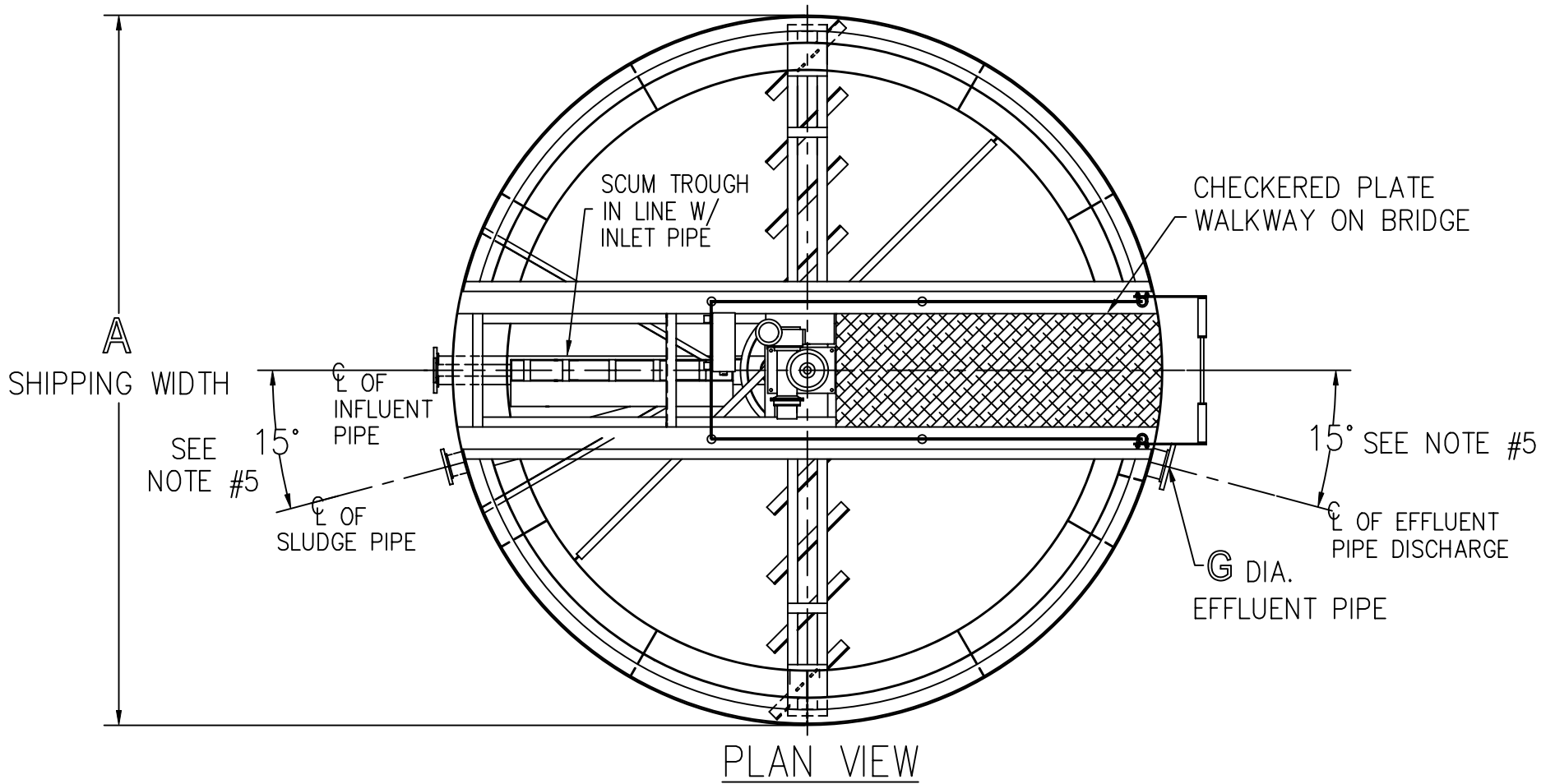


MODEL #	VOLUME	DIM. A	DIM. B	DIM. C	DIM. D	DIM. E	DIM. F	DIM. G	DIM. H	DIM. J	DIM. K	DIM. L



NOTES:

- 1.) ALL EXTERNAL PIPING TO THE TANK IS TO BE SUPPLIED AND INSTALLED BY THE INSTALLATION CONTRACTOR UNLESS OTHERWISE NOTED.
- 2.) FOUNDATION PAD MATERIALS AND DESIGN ARE DETERMINED BY THE PROJECT ENGINEER AFTER SOIL ANALYSIS IS COMPLETED
- 3.) MATERIALS FOR ANCHORING TANK TO THE FOUNDATION PAD IS TO BE SUPPLIED BY OTHERS
- 4.) INCOMING ELECTRICAL POWER, AND CONNECTION TO THE CONTROL PANEL IS BY THE ELECTRICAL CONTRACTOR.
- 5.) CONTACT PCS FOR OTHER ANGLE ORIENTATION OF CONNECTIONS TO CLARIFIER.

SECTIONAL ELEVATION VIEW

SEE CMC-DATA SHEET FOR DIMENSIONAL AND SIZE INFORMATION



Pollution Control Systems, Inc.

5827 Happy Hollow Ln, Suite 1B  
 Milford, Ohio 45150  
 (513) 831-1165  
 E-mail PolConSys@aol.com

PREFABRICATED CIRCULAR MECH. CLARIFIERS

8'-0" DIA. THROUGH 12'-0" DIA.  
 CIRCULAR MECHANICAL CLARIFIERS

SCALE: PLOT 3/8"=1'

PROJECT NO.

DRAWN BY: JJM

DATE: 11-8-99

SHEET

DRAWING NO.

CHECKED BY: JJM

DATE: 11-8-99

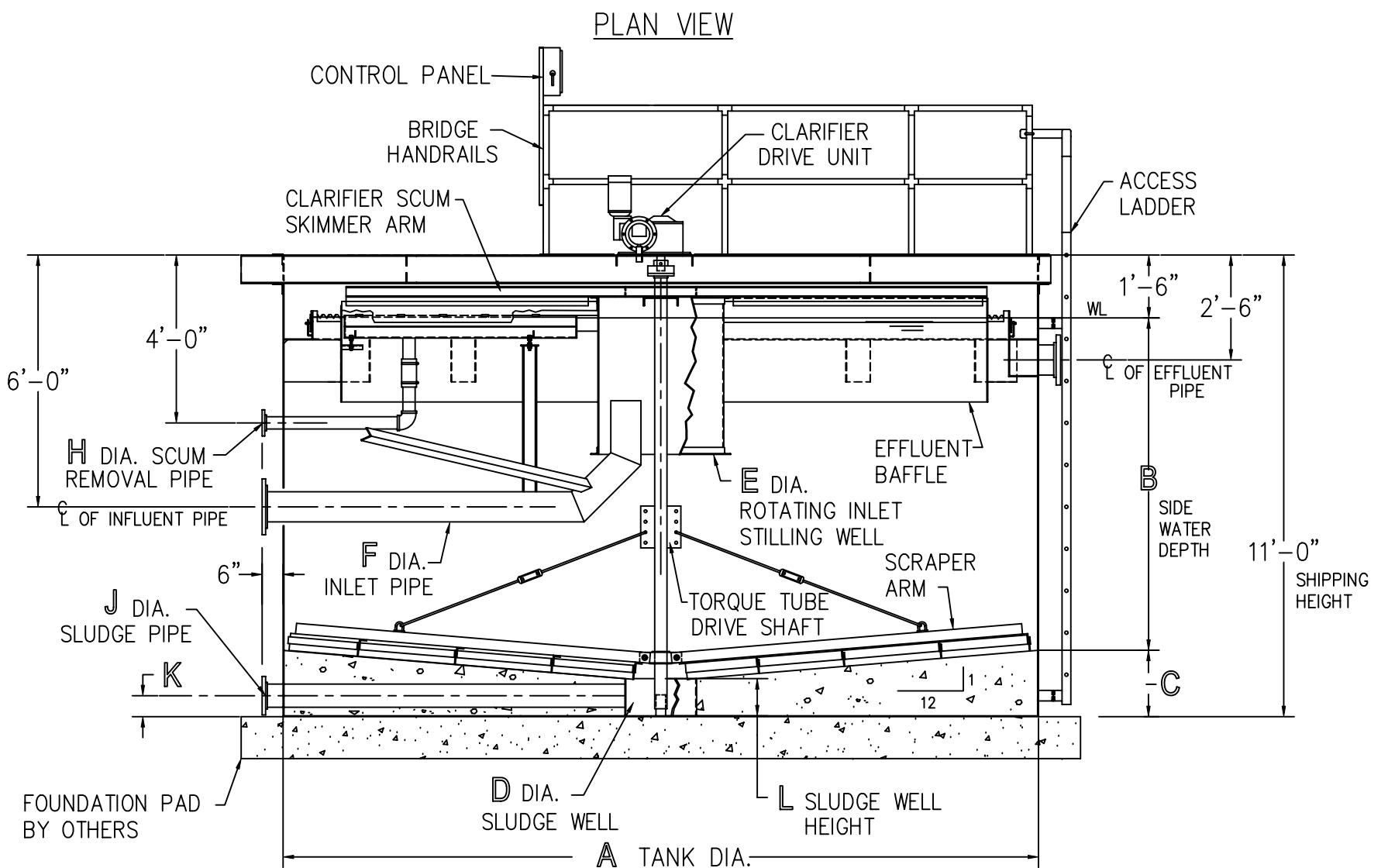
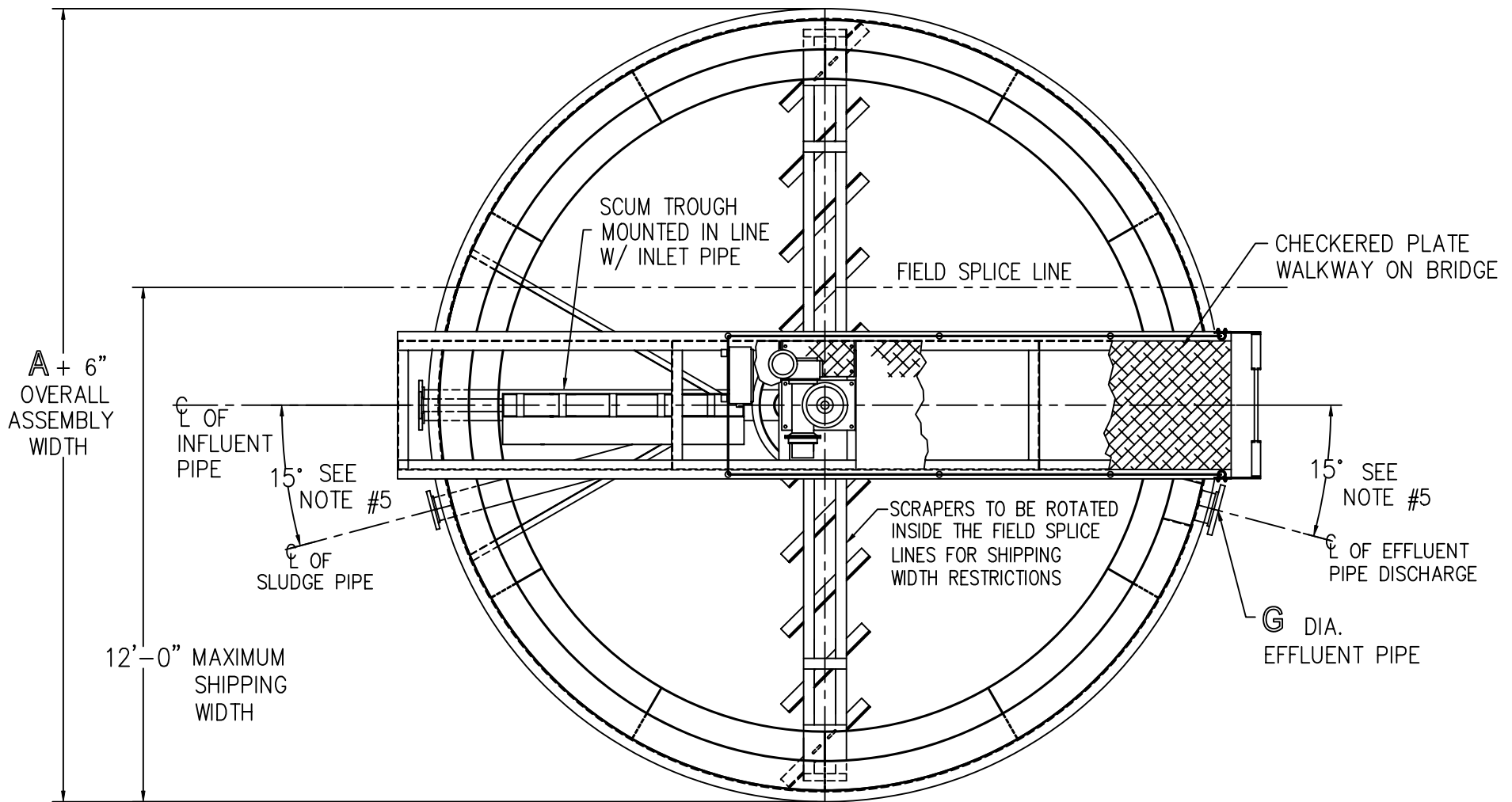
1 OF 1

CMC-CAT1

REV.	DATE	DESCRIPTION	APPROV.

THIS DRAWING CONTAINS INFORMATION THAT IS PROPRIETARY TO POLLUTION CONTROL SYSTEMS AND IS NOT TO BE USED WITHOUT WRITTEN PERMISSION OF POLLUTION CONTROL SYSTEMS INC.

MODEL #	VOLUME	DIM. A	DIM. B	DIM. C	DIM. D	DIM. E	DIM. F	DIM. G	DIM. H	DIM. J	DIM. K	DIM. L



NOTES:

- 1.) ALL EXTERNAL PIPING TO THE TANK IS TO BE SUPPLIED AND INSTALLED BY THE INSTALLATION CONTRACTOR UNLESS OTHERWISE NOTED.
- 2.) FOUNDATION PAD MATERIALS AND DESIGN ARE DETERMINED BY THE PROJECT ENGINEER AFTER SOIL ANALYSIS IS COMPLETED
- 3.) MATERIALS FOR ANCHORING TANK TO THE FOUNDATION PAD IS TO BE SUPPLIED BY OTHERS
- 4.) INCOMING ELECTRICAL POWER, AND CONNECTION TO THE CONTROL PANEL IS BY THE ELECTRICAL CONTRACTOR.
- 5.) CONTACT PCS FOR OTHER ANGLE ORIENTATION OF CONNECTIONS TO CLARIFIER.

SEE CMC-DATA SHEET FOR DIMENSIONAL AND SIZE INFORMATION



Pollution Control Systems, Inc.

5827 Happy Hollow Ln, Suite 1B  
 Milford, Ohio 45150  
 (513) 831-1165  
 E-mail PolConSys@aol.com

PREFABRICATED CIRCULAR MECH. CLARIFIERS

14'-0" DIA. THROUGH 18'-0" DIA.  
 SINGLE SPLICED  
 CIRCULAR MECHANICAL CLARIFIERS

SCALE: PLOT 1/4"=1'

PROJECT NO.

DRAWN BY: JJM

DATE: 11-5-99

SHEET

DRAWING NO.

CHECKED BY: JJM

DATE: 11-5-99

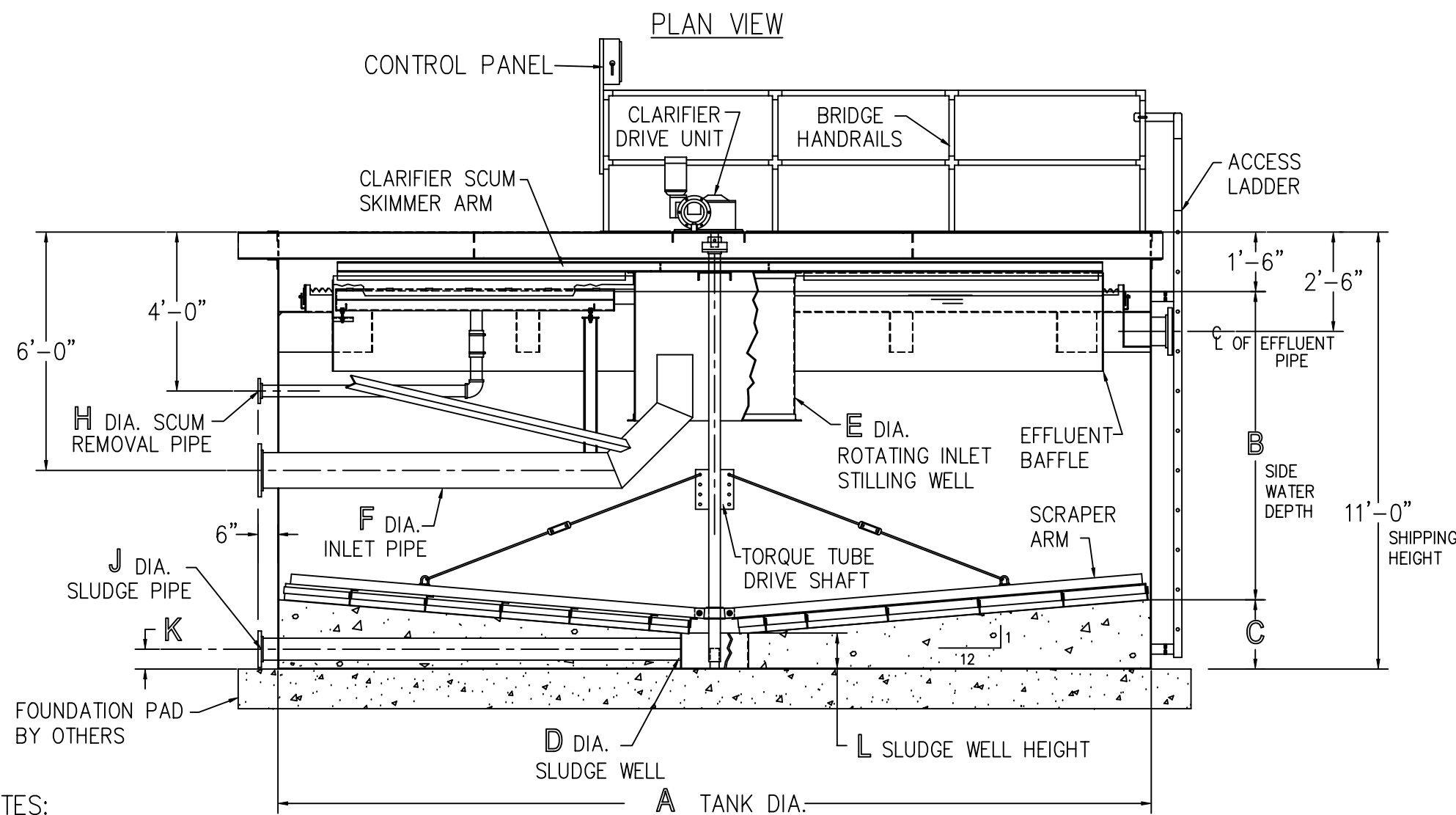
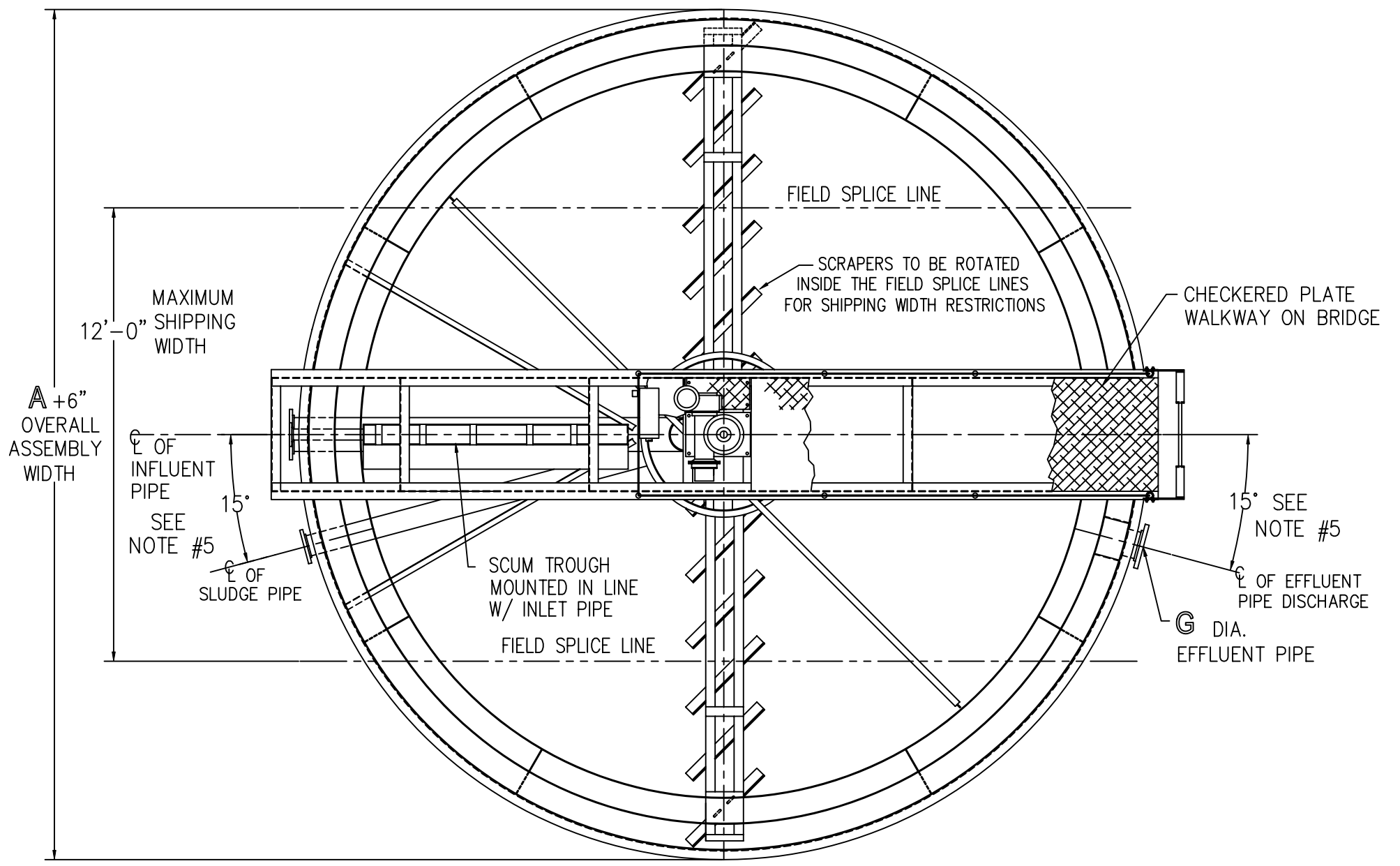
1 OF 1

CMC-CAT2

THIS DRAWING CONTAINS INFORMATION THAT IS PROPRIETARY TO POLLUTION CONTROL SYSTEMS AND IS NOT TO BE USED WITHOUT WRITTEN PERMISSION OF POLLUTION CONTROL SYSTEMS INC.

REV.	DATE	DESCRIPTION	APPROV.

MODEL #	VOLUME	DIM. A	DIM. B	DIM. C	DIM. D	DIM. E	DIM. F	DIM. G	DIM. H	DIM. J	DIM. K	DIM. L



- NOTES:
- 1.) ALL EXTERNAL PIPING TO THE TANK IS TO BE SUPPLIED AND INSTALLED BY THE INSTALLATION CONTRACTOR UNLESS OTHERWISE NOTED.
  - 2.) FOUNDATION PAD MATERIALS AND DESIGN ARE DETERMINED BY THE PROJECT ENGINEER AFTER SOIL ANALYSIS IS COMPLETED
  - 3.) MATERIALS FOR ANCHORING TANK TO THE FOUNDATION PAD IS TO BE SUPPLIED BY OTHERS
  - 4.) INCOMING ELECTRICAL POWER, AND CONNECTION TO THE CONTROL PANEL IS BY THE ELECTRICAL CONTRACTOR.
  - 5.) CONTACT PCS FOR OTHER ANGLE ORIENTATION OF CONNECTIONS TO CLARIFIER.

SECTIONAL ELEVATION VIEW

SEE CMC-DATA SHEET FOR DIMENSIONAL AND SIZE INFORMATION



Pollution Control Systems, Inc.

5827 Happy Hollow Ln, Suite 1B  
 Milford, Ohio 45150  
 (513) 831-1165  
 E-mail PolConSys@aol.com

PREFABRICATED CIRCULAR MECH. CLARIFIERS

20'-0" DIA. THROUGH 34'-0" DIA.  
 DOUBLE SPLICED  
 CIRCULAR MECHANICAL CLARIFIERS

SCALE: PLOT 1/4"=1' PROJECT NO.

DRAWN BY: JJM DATE: 11-5-99 SHEET DRAWING NO.

CHECKED BY: JJM DATE: 11-5-99 1 OF 1 CMC-CAT3

REV.	DATE	DESCRIPTION	APPROV.

THIS DRAWING CONTAINS INFORMATION THAT IS PROPRIETARY TO POLLUTION CONTROL SYSTEMS AND IS NOT TO BE USED WITHOUT WRITTEN PERMISSION OF POLLUTION CONTROL SYSTEMS INC.